

strapex

Product securing during transportation Machines for wrapping with stretch film



Turntable system



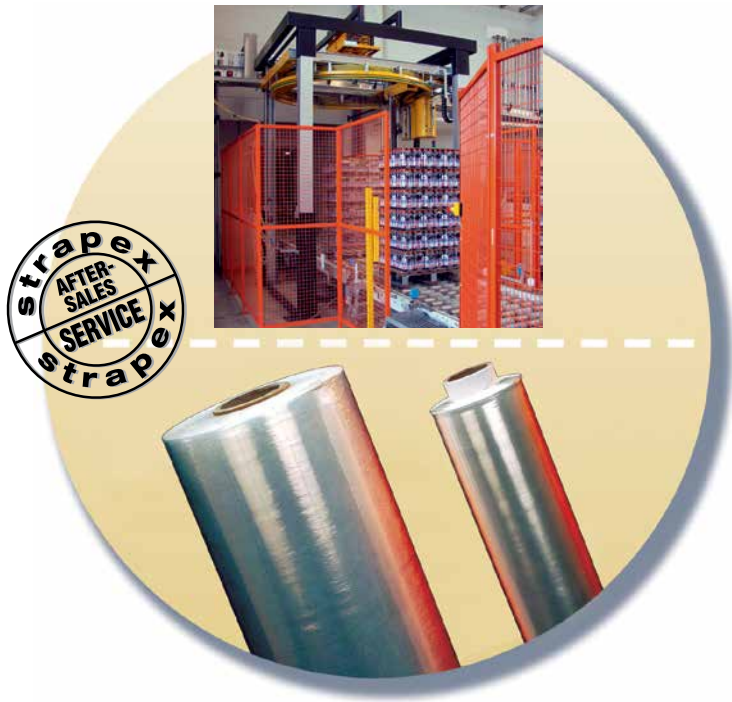
Rotating arm system



Ring system

The Strapex Advantage

Machine, Film and After-Sales Service as a total package



The right machine

Due to the flexibility of their machine programme, Strapex can offer tailor-made solutions for customers individual applications.

The right film

A comprehensive range of stretch film ensures that machine and consumables are always the best possible combination!

Worldwide Sales and Service

You will receive expert advice on choosing the right solution and service package together with the guaranteed availability of spare parts.

Additional products

Hand tools, machines and installations for strapping



Turntable system

Semi-automatic machines for compact loads

Features

- Wrapping while pallet is turning
- Economical
- Turntable height only 70 mm
- Easy stretch film insertion
- Soft start
- Up to 30 pallets per hour



Models

SWS 10/15/18

Three models with different wrapping programs and different equipment



Easy operation due to user-friendly control panel



With open or closed turntable as well as with access ramp (option)



Hold down device (option)



Solution with Power-Pre-Stretch:
Pre-stretching of the film up to 300% (option) – optimum utilization of the film!



Solution with pre-stretched Mimalite® film:
Up to 60% film reduction. No power-pre-stretching necessary. Less floor space for storing and less coil changes due to double run length.

Rotating arm system

Semi-automatic machines for lightweight products and irregularly loaded pallets

Features

The pallet remains stationary while being wrapped – there are no centrifugal forces to cause stress or strain on the load or on the equipment

Minimum space required:
No turntable and no access ramp necessary

No hold down device necessary

Easy stretch film insertion

Gentle wrapping without load edge pressing

Up to 35 pallets per hour

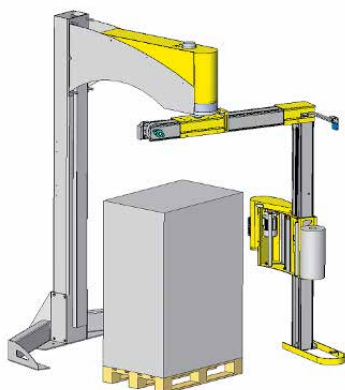
Models

SWA 20/25

For mounting on pillar or wall

Four programmable wrapping programs with eight available functions

Power-pre-stretch device:
Pre-stretching of the film up to 300% (option) – optimum utilization of the film!



With pull-out rotating arm



Specially suitable for production plants with hygienic regulations as floor is left clear

Ring system

Machines for standard performance and for all types of palletised goods

Features

As a stand alone machine or integrated into fully automatic packaging lines

Fully automatic process

- Film insertion
- Wrapping
- "Cording up" of the film end
- Cutting of the film end

The pallet remains stationary while being spirally wrapped – there are no centrifugal forces to cause stress or strain on the load or on the equipment

Wrapping can be started and finished at any height required

Gentle wrapping without load edge pressing due to Power pre-stretch system – specially suitable for light-weight and sensitive products

Constant film tension due to slip ring system

Display with clear text for program flow and malfunction indication

Optimal pallet positioning due to monitoring by photocells

Very safe operation



Automatic solution

Model SWR 30

Ideal where space is at premium and if wrapping without top sheet

Up to 35 pallets per hour



Semi-automatic solution



"Roll in - Roll out" solution



Models SWR 40/45

The economical machines – with many standard features and if wrapping without top sheet

Up to 50 pallets per hour



Model SWR 50

The economical machine with top sheet device

Up to 50 pallets per hour

Turntable system



Rotating arm system



Technical data	Turntable			Rotating arm
	SWS 10	SWS 15	SWS 18	SWA 20/25
Machine				
Performance per hour, up to	30 pallets	30 pallets	30 pallets	35 pallets
Turntable Ø	1500/1800 mm	1500/1800 mm	1500/1800 mm	
Turntable height	70 mm	70 mm	70 mm	
Machine height	2070 mm	2320/2620/3120 mm	2320/2620/3120 mm	3550 mm
Wrapping height, up to	2000 mm	2100/2400/2900 mm	2100/2400/2900 mm	2550/2900 mm
Pallet size, max.	800 x 1200/1200 x 1200 mm	800 x 1200/1200 x 1200 mm	800 x 1200/1200 x 1200 mm	1250 x 1250 mm*
Pallet weight, max.	1500/2000 kg	1500/2000 kg	1500/2000 kg	
Electrical supply	230 V, 50 Hz	230 V, 50 Hz	230 V, 50 Hz	230 V, 50 Hz
Weight	350 kg	350 kg	350 kg	500 kg
Film brake	Mechanical	Electromagnetical	Electromagnetical	Electromagnetical**
Power-Pre-Stretch: up to 300%		•	•	• ***
Control system				
Logo control system Siemens	•	•		
Siemens S7-224			•	
PLC/CAN bus				•
Hand control with joystick	•	•	•	
Preselected wrapping programs		1	2	
Top sheet program			•	
Stretch film				
Film thickness	12–35 mµ	12–35 mµ	12–35 mµ	12–35 mµ
Prestretched film thickness	7–11 mµ			7–11 mµ****
Further informations				
Technical data, standard equipment, options	On request	On request	On request	On request

* With pull-out rotating arm 1400 x 1400 mm ** SWA 25: Mechanical *** Only SWA 20 **** Only SWA 25

Ring system



Technical data	Ring			
	SW 30	SWR 40	SWR 45	SWR 50
Machine				
Performance per hour, up to	35 pallets	50 pallets	50 pallets	50 pallets
Machine height	3130 mm	2740 mm	2740 mm	3100 mm
Wrapping height, up to	2100 mm	2400 mm	2400 mm	2400 mm
Pallet size, max.	1200 x 1000 mm	1200 x 1550 mm	1700 x 2050 mm	1200 x 1550 mm
Electrical supply	3 x 400 V, 50 Hz	3 x 400 V, 50 Hz	3 x 400 V, 50 Hz	3 x 400 V, 50 Hz
Weight	1300 kg	1550 kg	1550 kg	2000 kg
Control system				
	Siemens S7-200	Siemens S7-200	Siemens S7-200	Siemens S7-200
Stretch film				
Film thickness	9–30 mµ	17–35 mµ	17–35 mµ	17–35 mµ
Top sheet device				
				•
Further informations				
Technical data, standard equipment, options	On request	On request	On request	On request

System solutions

High performance machines for all types of palletised goods

For new installations or for integration into existing packaging lines

Ring system

Up to 130 pallets per hour

Also combined solutions wrapping/strapping

New: TWIN

Up to 150 pallets per hour due to double film carriage. Both film carriages apply film simultaneously.



Make your products feel safe



Own development and manufacturing



Proven solutions for various industry segments



Worldwide sales and service network

www.strapex.com